

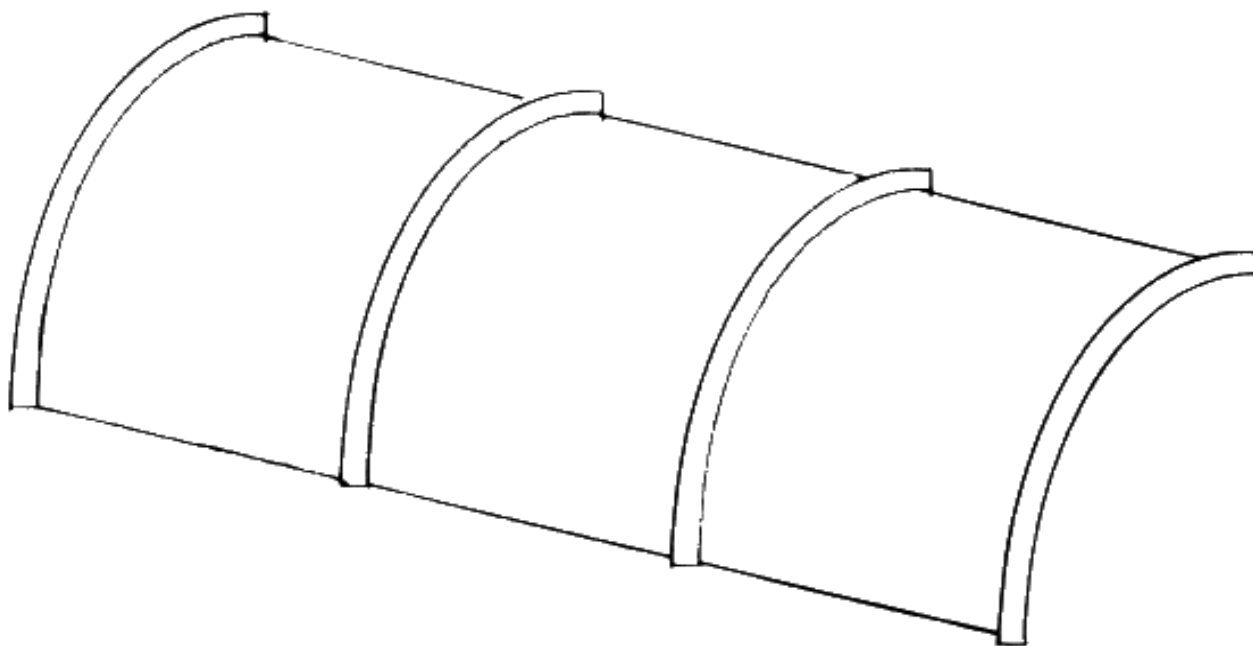


SPECIALTY SYSTEMS

ARCHITECTURAL METAL PANELS

Spec-Curve Standing Seam

Roof and Fascia Applications SC-B



For complete specifications please [contact us](#).

◀ [Back to Spec-Line Application Chart](#)