

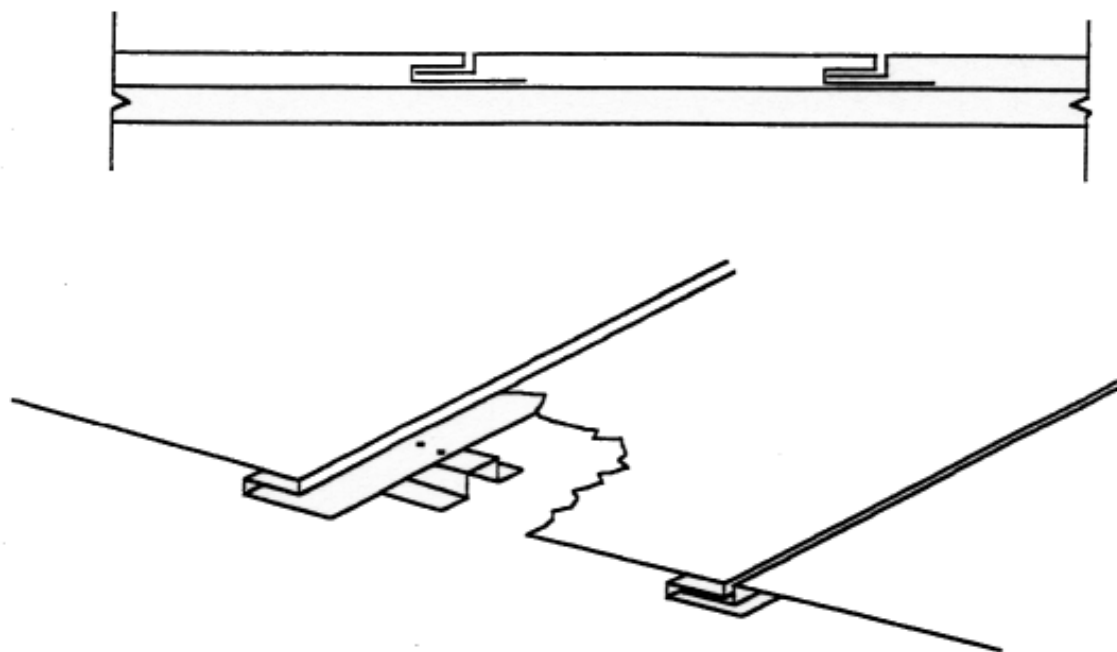


SPECIALTY SYSTEMS

ARCHITECTURAL METAL PANELS

Spec-Line Flush Panel - Standard Detail

Soffit and Fascia Applications SL-300



For complete specifications please [contact us](#).

◀ Back to Spec-Line Application Chart



SPECIALTY SYSTEMS INC.
11901 RIVERWOOD DRIVE, BURNSVILLE, MN 55337

PHONE (952) 894-5111