



SPECIALTY SYSTEMS

ARCHITECTURAL METAL PANELS

**Pre-finished
Metal Panels**

Add beauty, longevity, value and excitement to any project from high-tech to traditional.

Composite Panels

For twenty years, Specialty Systems has served design and construction professionals with systems design, fabrication, and installation services. Our access to all major panel manufacturers, and material suppliers provide you with a variety of standard and custom architectural panel exteriors.

**Aluminum Plate /
Column Covers**



Contact Us

Specialty Systems is a single-source, full service firm that believes good systems design and planning are two key elements to a successful project. Specialty Systems project management and CAD design team, assure you the required support necessary from the planning stage through the construction phase.

Site Index



A third important ingredient for a successful project is installation. Specialty Systems skilled employees take great pride in the quality of workmanship on each project. Our experience and reputation for providing quality installation and service is second to none.

**Over 20 years
of service.**

**SPECIALTY
SYSTEMS**

 **SPECIALTY SYSTEMS INC.**
11901 RIVERWOOD DRIVE, BURNSVILLE, MN 55337

PHONE (952) 894-5111



SPECIALTY SYSTEMS

ARCHITECTURAL METAL PANELS

**Pre-finished
Metal Panels**

Composite Panels

**Aluminum Plate /
Column Covers**

Site Index

Contact Us

Pre-finished Metal Panels

Spec-Line Application Chart

		Roof	Wall	Fascia	Soffit
<SPECS>	Standing Seam Panel	✓	✓	✓	
<SPECS>	Flush Panel		✓	✓	✓
<SPECS>	Bermuda Panel	✓	✓	✓	
<SPECS>	Standing Seam Curved	✓		✓	
<SPECS>	Flush Curved	✓		✓	
<SPECS>	Corrugated Curved	✓		✓	
<SPECS>	Crimped Shingle Panel	✓	✓		

Click on [<SPECS>](#) in the table to view drawings for each of the panel systems.

Specifications are available from Specialty Systems via [E-mail](#) upon request.





SPECIALTY SYSTEMS

ARCHITECTURAL METAL PANELS

**Pre-finished
Metal Panels**

Composite Panels

**Aluminum Plate /
Column Covers**

Contact Us

Site Index

**Over 20 years
of service.**

**SPECIALTY
SYSTEMS**

Composite Panels

Specialty Systems has designed and fabricated aluminum sheet into architectural building panels for nearly 20 years. In recent years, a newer type of panel, made with aluminum composite sheet (ACM) has grown in use because of its unique qualities. Specialty Systems custom fabricates exterior and interior panels using ACM and special fabrication methods.



Composites

ACM-based panels resist buckling, rippling, and oil-canning. They are lightweight, incredibly strong, and weather resistant. ACM is typically made of two sheets of 0.020" aluminum bonded to a thermoplastic core. The sheets are available in pre-finished coil coated colors and anodized finishes. Source manufacturers for Specialty Systems

include Reynolds Metals Company (Reynobond), and Alusuisse Corporation (Alucobond).

Working with ACM is a precise craft. Design, fabrication, and installation of these panels should be done by a firm with at least ten years of experience.

Fabrication Details

Here are a typical panel joint and two types of corners used in metal panels fabricated from ACM.

<SPEGS> Typical route and return

<SPEGS> Standard corner

<SPEGS> Envelope corner

Links to ACM manufacturers

[Reynolds Aluminum Company \(Reynobond\)](#)

[Alusuisse Composites \(Alucobond\)](#)

 **SPECIALTY SYSTEMS INC.**
11901 RIVERWOOD DRIVE, BURNSVILLE, MN 55337

PHONE (952) 894-5111



SPECIALTY SYSTEMS

ARCHITECTURAL METAL PANELS

**Pre-finished
Metal Panels**

Composite Panels

**Aluminum Plate /
Column Covers**

Contact Us

Site Index

**Over 20 years
of service.**

**SPECIALTY
SYSTEMS**

Aluminum Plate/Column Covers and Specialties



Unparalleled versatility

Fabricated from solid 1/8" aluminum plate, Spec-Alum wall panels, column covers, and aluminum specialties are high quality products developed to provide the construction industry with versatile design elements. Designed and fabricated for each application, this solid aluminum panel does not depend on laminated or bonded cores for strength, flatness, or integrity.

Design versatility

The custom fabrication system enables wall panels to be formed into a variety of custom shapes to fulfill even the most sophisticated or specialized architectural requirements.

Spec-Alum is available in a variety of color finishes to visually enhance architectural designs.



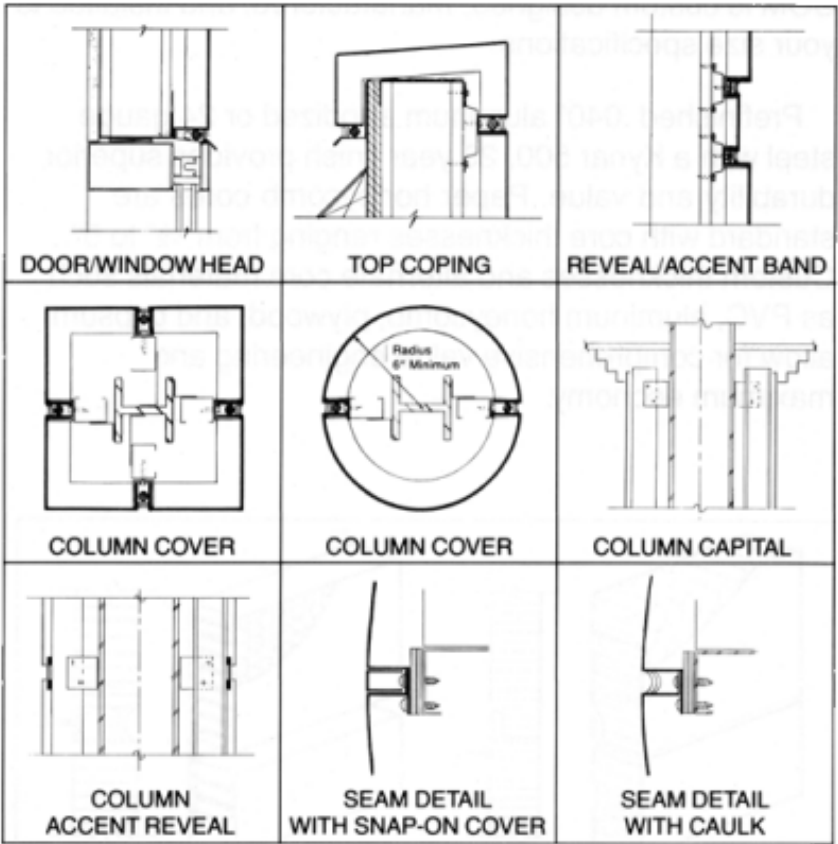
Spec-Alum can be specified for both interior and exterior applications, expanding your architectural design options.

Technical Data

Variable Width

6" to 5'2" (std)

Variable Length	Up to 12' (std)
Thickness	1½" (std)
Caulk Joint	½" (min)
Material	Aluminum
Thickness.	125" inches
Alloy	Anodized 5005 H-34 Painted 3002 H-14





SPECIALTY SYSTEMS

ARCHITECTURAL METAL PANELS

**Pre-finished
Metal Panels**

Composite Panels

**Aluminum Plate /
Column Covers**

Contact Us

Site Index

Contact Us

Minneapolis/St. Paul

Specialty Systems Inc.

11901 Riverwood Drive

Burnsville, MN 55337

(952) 894-5111

(952) 894-0687 (FAX)

Chicago

Specialty Systems Inc.

829 Thornapple Drive

Naperville, IL 60540

(630) 357-9625

(630) 357-9635 (FAX)

Email : mail@specialtysystemsinc.com

**Over 20 years
of service.**

**SPECIALTY
SYSTEMS**



**SPECIALTY SYSTEMS INC.
11901 RIVERWOOD DRIVE, BURNSVILLE, MN 55337**

PHONE (952) 894-5111



SPECIALTY SYSTEMS

ARCHITECTURAL METAL PANELS

Specialty Systems Site Index

**Pre-finished
Metal Panels**

[Pre-finished Metal Panels](#)

- [Standing Seam Panel](#)
- [Flush Panel](#)
- [Bermuda Panel](#)
- [Standing Seam Curved](#)
- [Flush Curved](#)
- [Corrugated Curved](#)
- [Crimped Shingle Panel](#)

Composite Panels

[Composite Panels](#)

- [Typical route and return](#)
- [Standard corner](#)
- [Envelope corner](#)

**Aluminum Plate /
Column Covers**

[Aluminum Plate / Column Covers](#)

Contact Us

[Contact Information](#)

Site Index

**Over 20 years
of service.**

**SPECIALTY
SYSTEMS**



SPECIALTY SYSTEMS INC.
11901 RIVERWOOD DRIVE, BURNSVILLE, MN 55337

PHONE (952) 894-5111

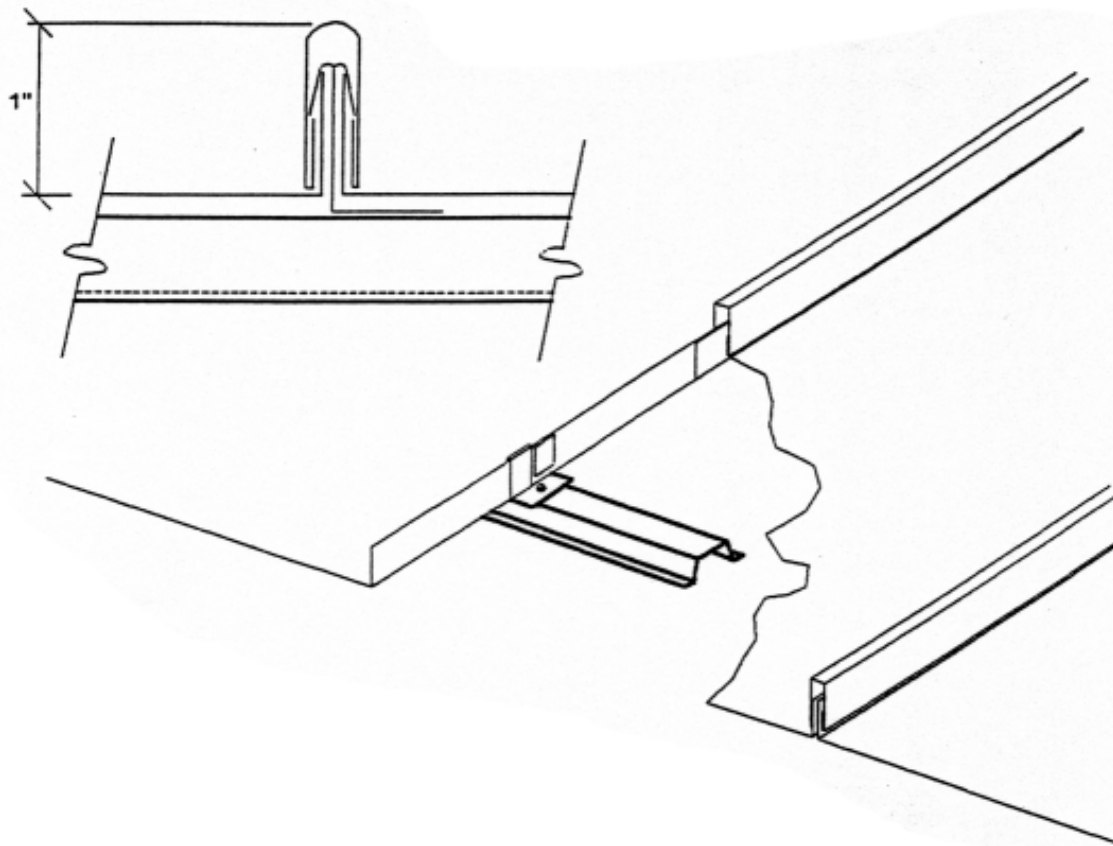


SPECIALTY SYSTEMS

ARCHITECTURAL METAL PANELS

Spec-Line Standing Seam Panel

Roof and Wall Applications SL-100



For complete specifications please [contact us](#).

Printable Format - [Adobe PDF](#)

◀ [Back to Spec-Line Application Chart](#)

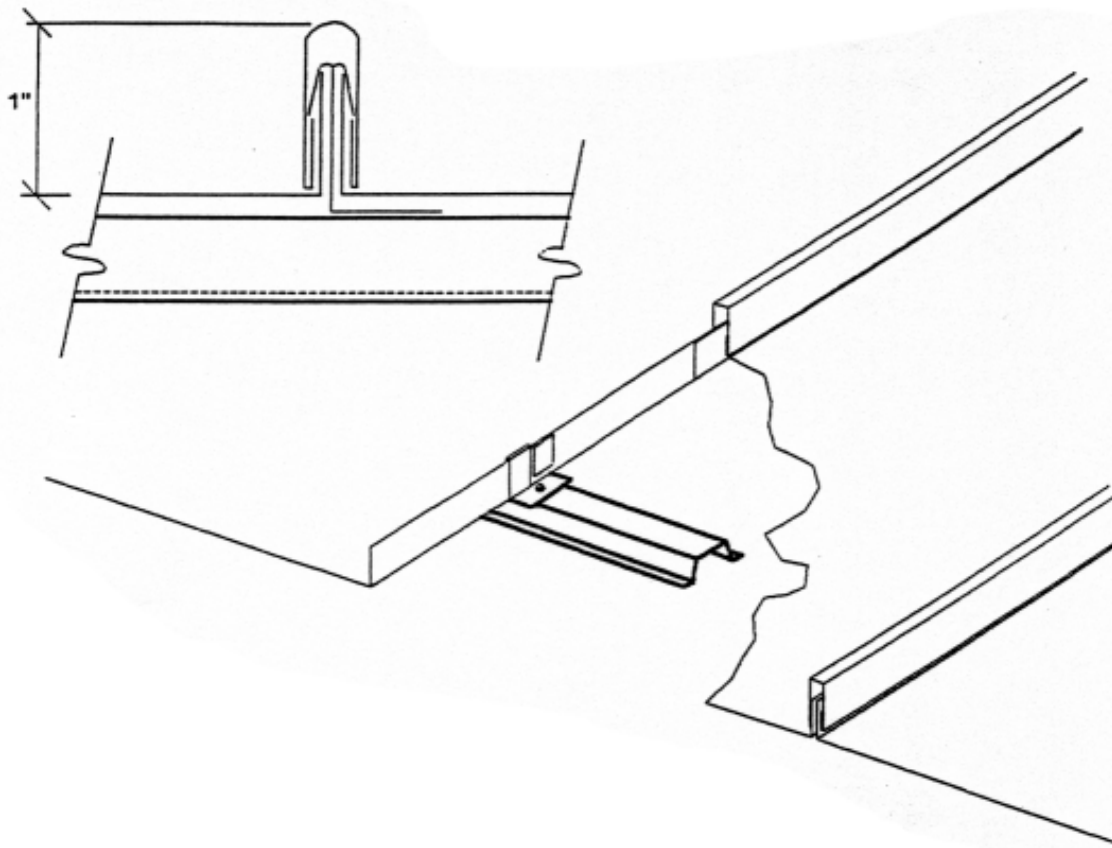


SPECIALTY SYSTEMS

ARCHITECTURAL METAL PANELS

Spec-Line Standing Seam Panel

Roof and Wall Applications SL-100



For complete specifications please [contact us](#).

◀ [Back to Spec-Line Application Chart](#)

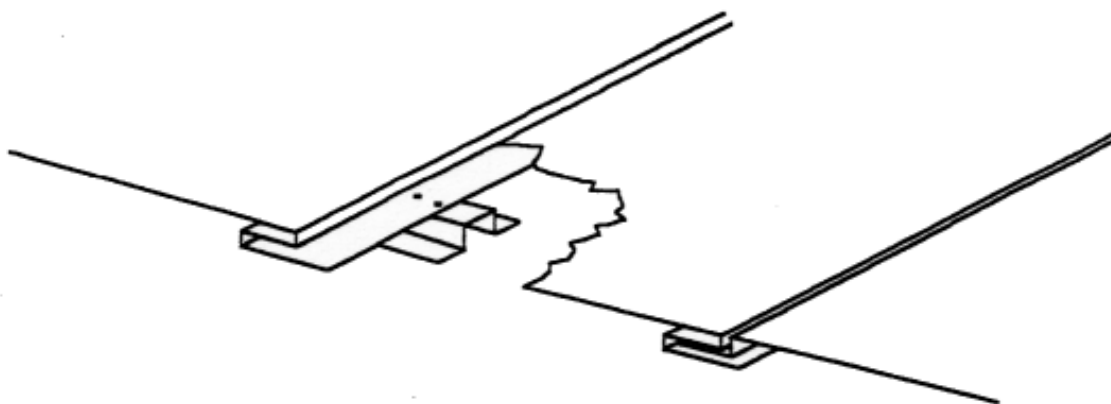
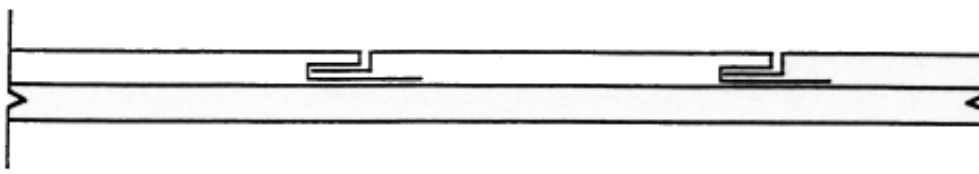


SPECIALTY SYSTEMS

ARCHITECTURAL METAL PANELS

Spec-Line Flush Panel - Standard Detail

Soffit and Fascia Applications SL-300



For complete specifications please [contact us](#).

◀ [Back to Spec-Line Application Chart](#)



SPECIALTY SYSTEMS INC.
11901 RIVERWOOD DRIVE, BURNSVILLE, MN 55337

PHONE (952) 894-5111

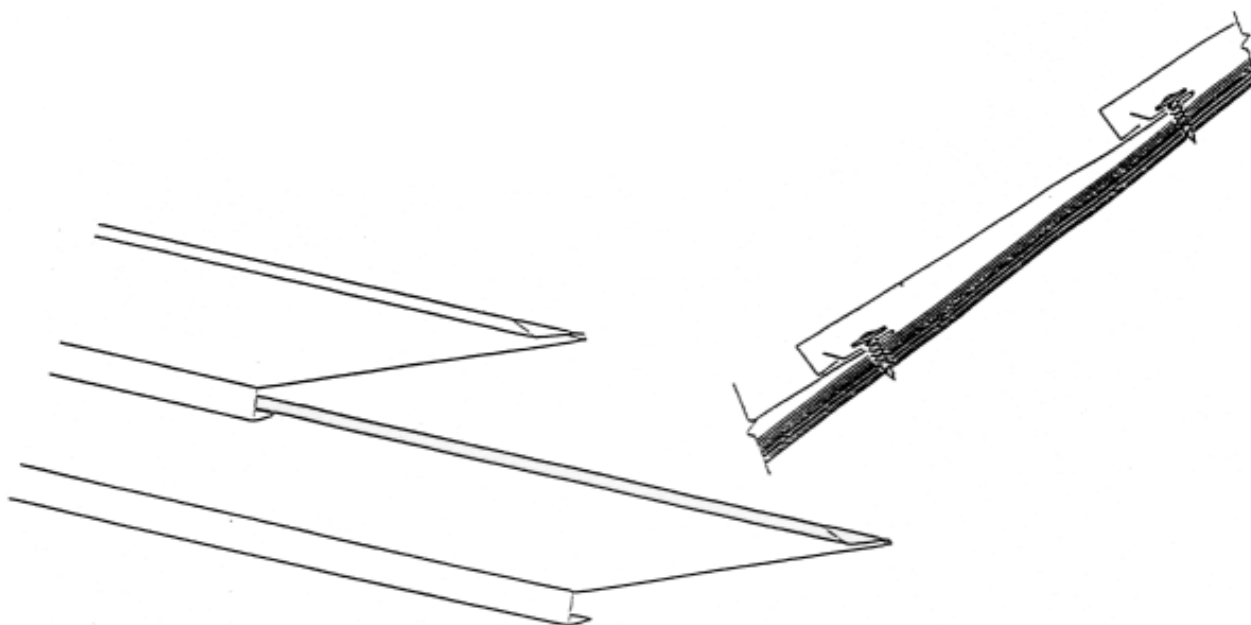


SPECIALTY SYSTEMS

ARCHITECTURAL METAL PANELS

Spec-Line Bermuda Panel - Standard Detail

Roof and Wall Applications SL-400



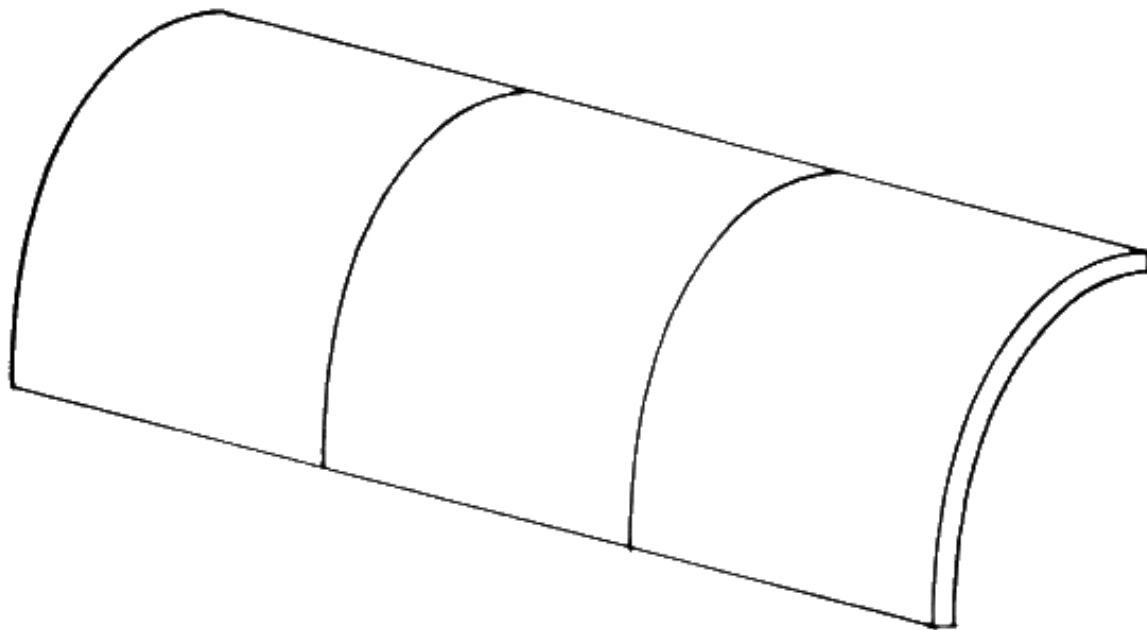
For complete specifications please [contact us](#).

◀ [Back to Spec-Line Application Chart](#)



Spec-Curve Flush

Roof and Fascia Applications SC-1



For complete specifications please [contact us](#).

◀ [Back to Spec-Line Application Chart](#)

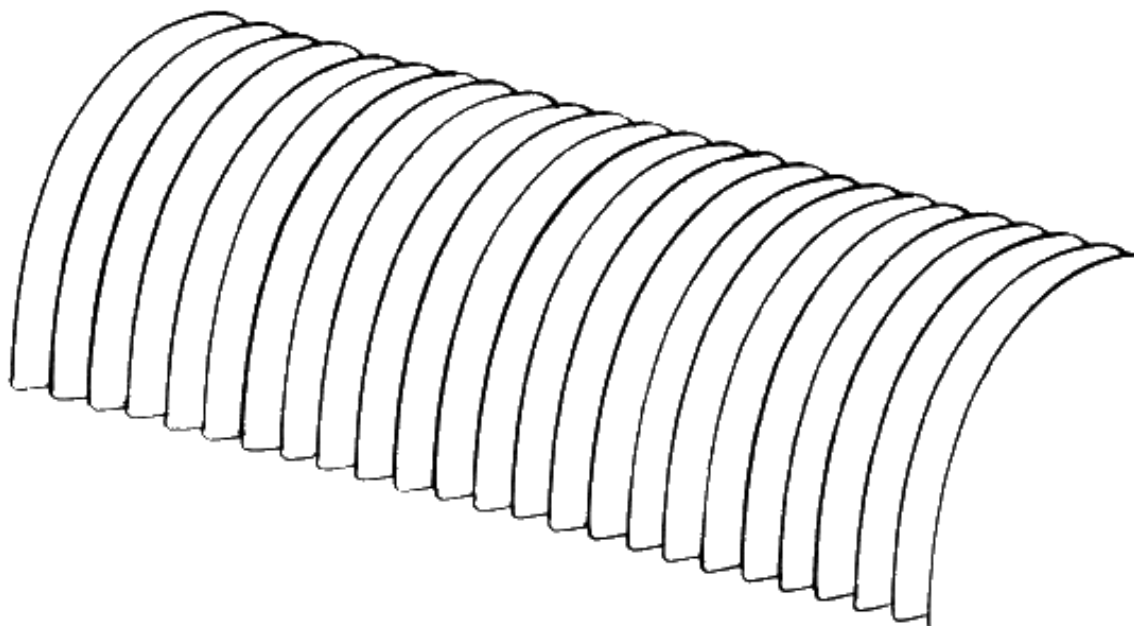


SPECIALTY SYSTEMS

ARCHITECTURAL METAL PANELS

Spec-Curve Corrugated

Roof and Fascia Applications SC-C



For complete specifications please [contact us](#).

◀ [Back to Spec-Line Application Chart](#)

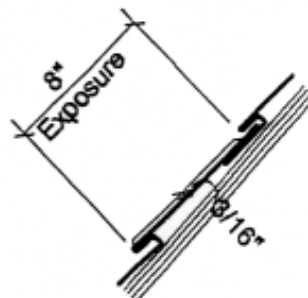
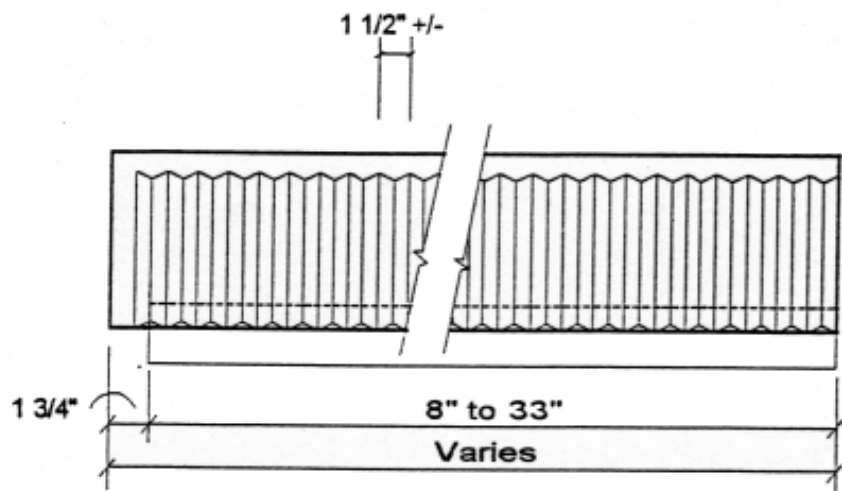


SPECIALTY SYSTEMS

ARCHITECTURAL METAL PANELS

Spec-Line Crimped Shingle

Roof and Wall Applications



For complete specifications please [contact us](#).

◀ Back to Spec-Line Application Chart



SPECIALTY SYSTEMS

ARCHITECTURAL METAL PANELS

**Pre-finished
Metal Panels**

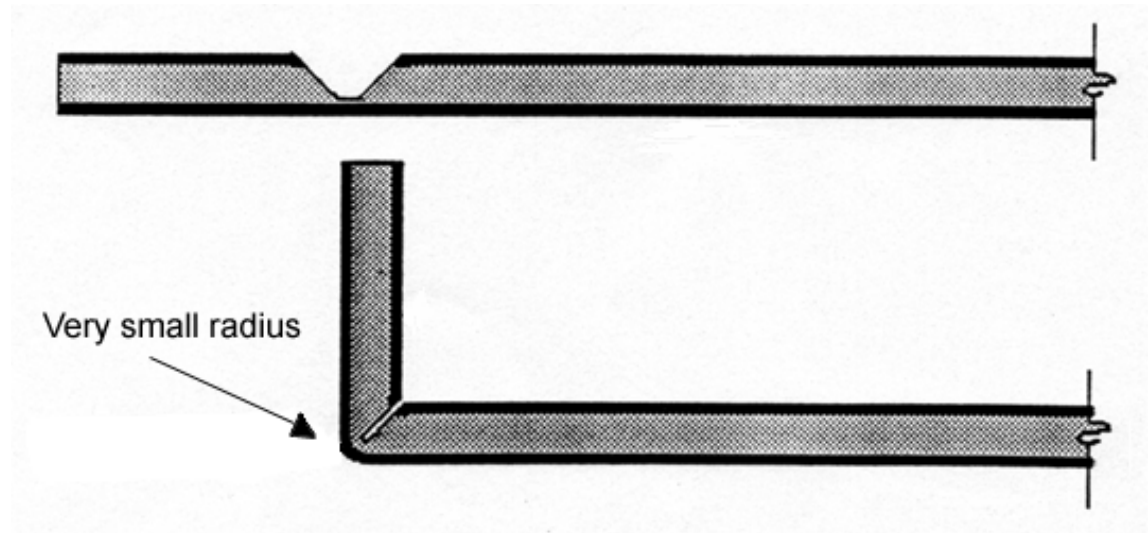
Composite Panels

**Aluminum Plate /
Column Covers**

Contact Us

Site Index

Route and return joint



Other fabrication details

▶ [Standard corner](#)

▶ [Envelope corner](#)

**Over 20 years
of service.**

**SPECIALTY
SYSTEMS**



SPECIALTY SYSTEMS INC.
11901 RIVERWOOD DRIVE, BURNSVILLE, MN 55337

PHONE (952) 894-5111



SPECIALTY SYSTEMS

ARCHITECTURAL METAL PANELS

Standard Corner

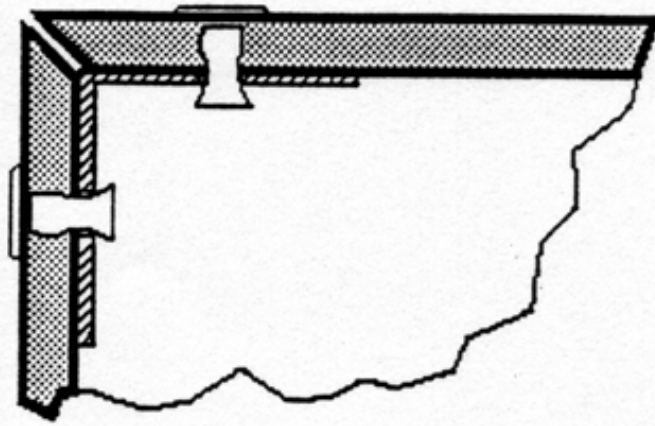
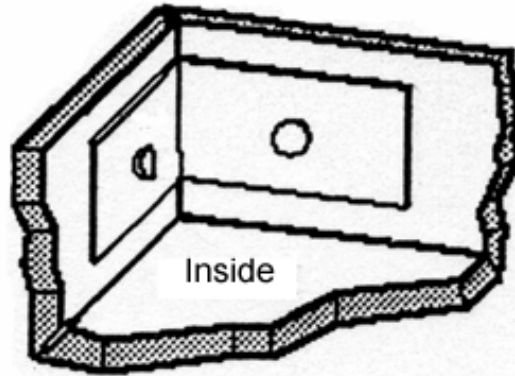
Pre-finished
Metal Panels

Composite Panels

Aluminum Plate /
Column Covers

Contact Us

Site Index



Other fabrication details

▶ [Route and return joint](#)

▶ [Envelope corner](#)

Over 20 years
of service.

**SPECIALTY
SYSTEMS**



SPECIALTY SYSTEMS INC.
11901 RIVERWOOD DRIVE, BURNSVILLE, MN 55337

PHONE (952) 894-5111



SPECIALTY SYSTEMS

ARCHITECTURAL METAL PANELS

Envelope Corner

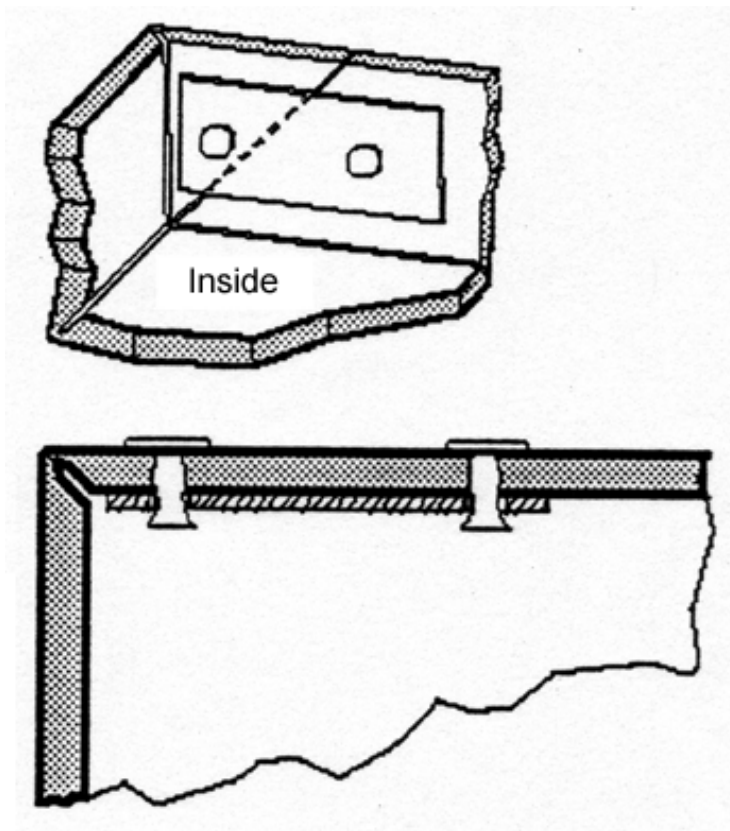
Pre-finished
Metal Panels

Composite Panels

Aluminum Plate /
Column Covers

Contact Us

Site Index



Other fabrication details

Over 20 years
of service.

**SPECIALTY
SYSTEMS**

- ▶ [Route and return joint](#)
- ▶ [Standard Corner](#)

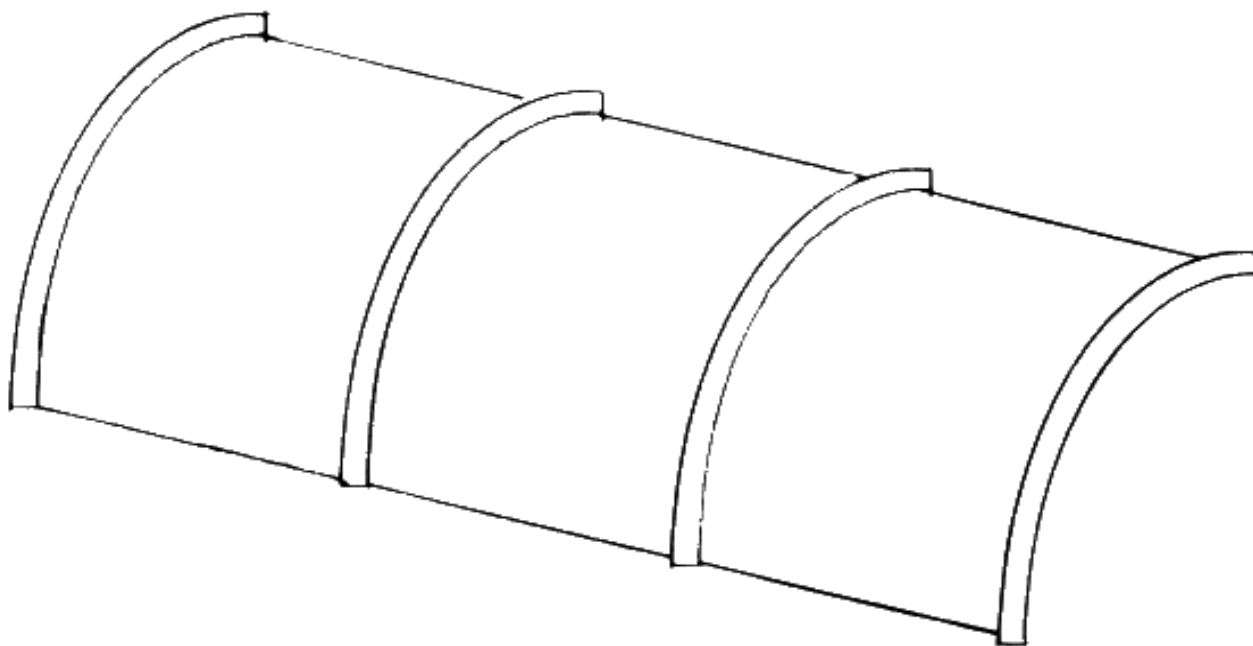


SPECIALTY SYSTEMS

ARCHITECTURAL METAL PANELS

Spec-Curve Standing Seam

Roof and Fascia Applications SC-B



For complete specifications please [contact us](#).

◀ [Back to Spec-Line Application Chart](#)