



SPECIALTY SYSTEMS

ARCHITECTURAL METAL PANELS

Envelope Corner

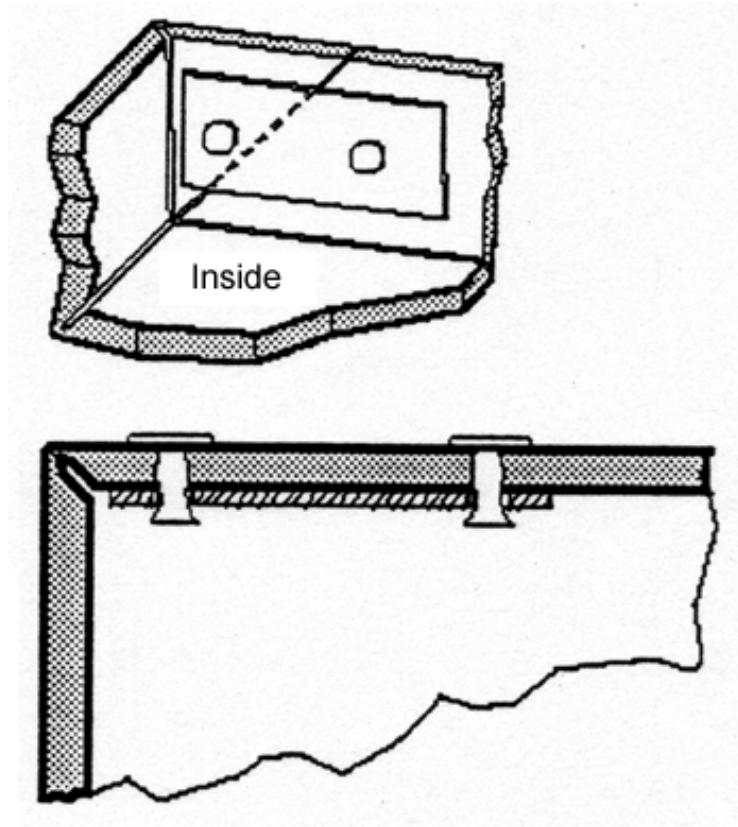
Pre-finished
Metal Panels

Composite Panels

Aluminum Plate /
Column Covers

Contact Us

Site Index



Other fabrication details

Over 20 years
of service.

**SPECIALTY
SYSTEMS**

▶ [Route and return joint](#)

▶ [Standard Corner](#)